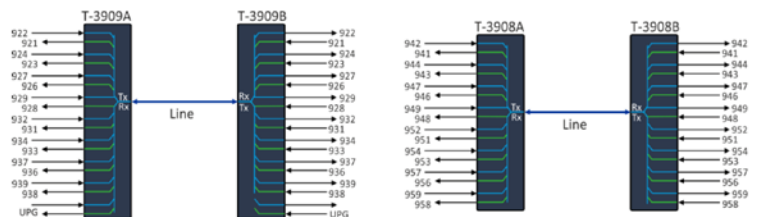


DATASHEET 5.0

T-390x SF DWDM MUX/DEMUX SERIES

100GHZ, 8+8 CHANNEL, SINGLE FIBER, DWDM MULTIPLEXERS



OVERVIEW

In a fiber-pair configuration the Mux/Demux units at the end points are identical since the same wavelength is used in both directions for a connection. In a single-fiber configuration two different wavelengths are used and consequently the two Mux/Demux units are different, i.e. "mirrored".

The two versions in the pair are denoted "A" and "B".

There are two pairs of DWDM Mux/Demuxes for single-fiber operation.

- T-3909A and T-3909B enabling 8 bi-directions, with an Upgrade port to enable 8 additional channels via T-3908A and T-3908B.
- -T-3908A and T-3908B enabling 8 bi-directions channels.

In a single-fiber configuration there is no need to distinguish between a transmit and receive line fiber. Patching will as a consequence be easier. The complexity lies in that transceivers with different wavelengths must be used at the respective ends.

PRODUCT FEATURES

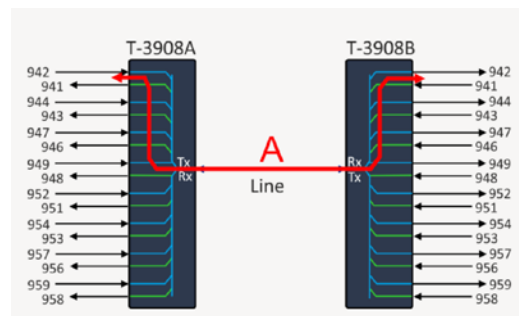
- Multiplexing of 8 and 16 DWDM channels on a single fiber
- Low insertion loss
- Compliant to ITU G.694.1
- 1U Low profile modular design
- Passive, no electric power required. (MTBF ca. 500 years)

ORDERING INFORMATION

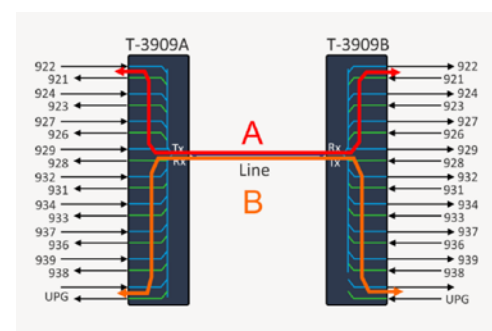
Part Number	Description
T-3908A	1 RU plug-in module, W=212mm, D=191.6mm, 8ch DWDM Mux/Demux, 100GHz, single fiber, Tx channels D942-D959, Link-loss=5.0dB, LC/UPC
T-3908B	1 RU plug-in module, W=212mm, D=191.6mm, 8ch DWDM Mux/Demux, 100GHz, single fiber, Tx channels D941-D958, Link-loss=5.0dB, LC/UPC
T-3909A	1 RU plug-in module, W=212mm, D=191.6mm, 8ch DWDM Mux/Demux, Upg-port, 100GHz, single fiber, Tx channels D922-D939, Link-loss=5.3dB, Link-loss UPG=1.8dB, LC/UPC
T-3909B	1 RU plug-in module, W=212mm, D=191.6mm, 8ch DWDM Mux/Demux, Upg-port, 100GHz, single fiber, Tx channels D921-D938, Link-loss=5.3dB, Link-loss UPG=1.8dB, LC/UPC

GENERAL SPECIFICATIONS

T-5841-E	Unit	Value
T-3908A: Channels Tx direction ¹⁾	THz	194.2, 194.4, 194.7, 194.9 195.2, 195.4, 195.7, 195.9
T-3908A: Channels Rx direction	THz	194.1, 194.3, 194.6, 194.8 195.1, 195.3, 195.6, 195.8
T-3908B: Channels Tx direction ¹⁾	THz	194.1, 194.3, 194.6, 194.8 195.1, 195.3, 195.6, 195.8
T-3908B: Channels Rx direction	THz	194.2, 194.4, 194.7, 194.9 195.2, 195.4, 195.7, 195.9
Channel spacing	GHz	100
Number of channels	-	8
Link loss, per channel (A)	dB	< 5
Module width	mm	see separate figure
Connector type	-	LC/UPC
Mounting brackets	-	T-3002-19
Operating temperature	°C	0 to +70



T-5841-E	Unit	Value
T-3908A: Channels Tx direction ¹⁾	THz	192.2, 192.4, 192.7, 192.9 193.2, 193.4, 193.7, 193.9
T-3908A: Channels Rx direction	THz	192.1, 192.3, 192.6, 192.8 193.1, 193.3, 193.6, 193.8
T-3908B: Channels Tx direction ¹⁾	THz	192.1, 192.3, 192.6, 192.8 193.1, 193.3, 193.6, 193.8
T-3908B: Channels Rx direction	THz	192.2, 192.4, 192.7, 192.9 193.2, 193.4, 193.7, 193.9
Channel spacing	GHz	100
Number of channels	-	8
Link loss, per channel (A)	dB	< 5.3
Link loss, upgrade port (B)	dB	< 1.8
Module width	mm	see separate figure
Connector type	-	LC/UPC
Mounting brackets	-	T-3002-19
Operating temperature	°C	0 to +70



¹⁾ Equals the wavelengths used in transmit direction, i.e. what type of transceiver that shall be connected to this Mux/Demux unit.

GENERAL SPECIFICATIONS

Mounting bracket T-3002-19	Unit	Value
Rack mount	-	19"
Mounting depth (flush mount)	mm	191.6
Height	mm	44.45 (1 RU)
Slot width	mm	189

