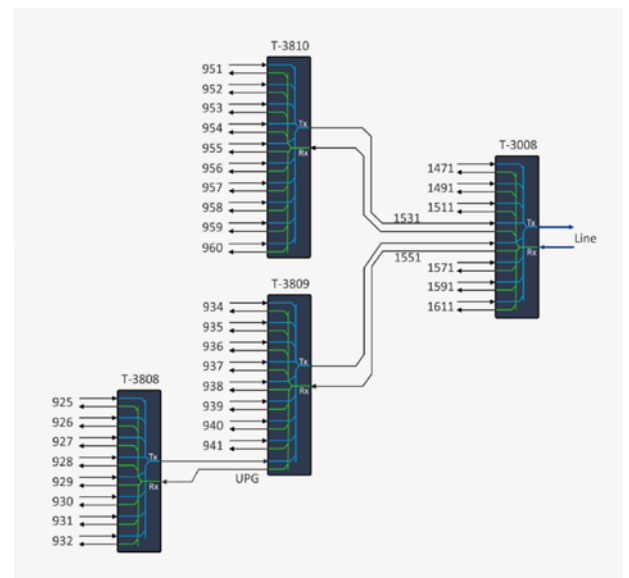
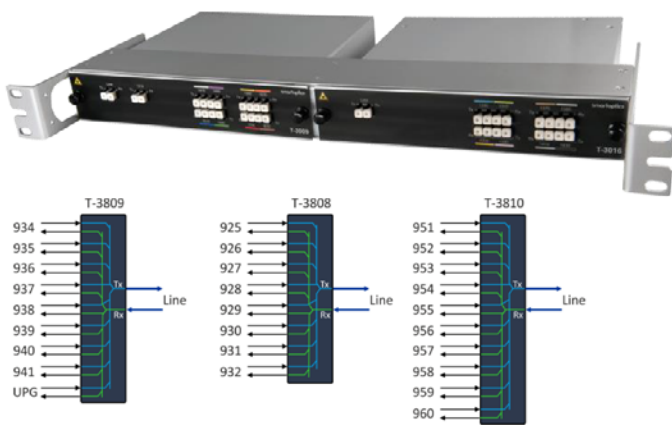


DATASHEET 5.1

T-3xxx CWDM TO DWDM EXPANSION

100GHz, 8+8 channel, 10 channel and DWDM over CWDM multiplexers



OVERVIEW

The T-3809 and T-3808 are DWDM Mux/Demux units having a channel plan that allows them to be connected to a 1551nm port on a CWDM filter.

The T3809 MuxDeMux has an Upgrade port to which the T-3808 can be connected, providing 8+8 DWDM channels to be carried over a CWDM link.

Further expansion can be provided via the T-3810 DWDM Mux/Demux, having a channel plan that fits into the 1531nm CWDM window.

The figure shows an example where these DWDM filters are connected to the respective ports of the CWDM Mux/Demux T-3008.

This configuration will provide 6 CWDM channels and 26 DWDM channels sharing the same fiber link.

PRODUCT FEATURES

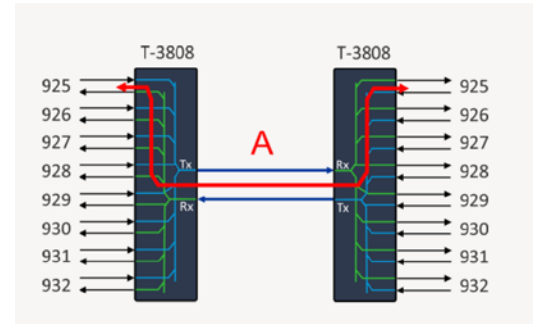
- CWDM investment preserved
- 1U Low profile modular design
- Passive, no electric power required. (MTBF ca. 500 years)

ORDERING INFORMATION

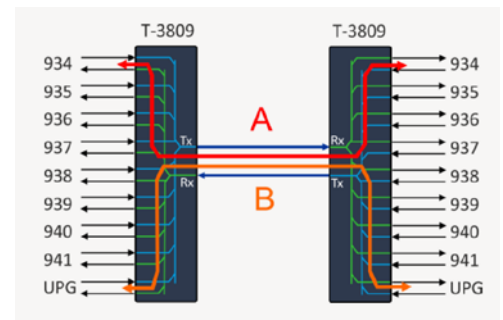
Part Number	Description
8+8 ch. DWDM Mux/Demux (can be used stand alone or in CWDM 1550nm channel)	
T-3809	1 RU plug-in module, W=212mm, D=191.6mm, 8ch DWDM Mux/Demux with upgrade port, 100GHz, D934-D941 (1550nm port), Link loss ch=5.0dB, Link loss UPG =1.2dB, LC/UPC
T-3808	1 RU plug-in module, W=212mm, D=191.6mm, 8ch DWDM Mux/Demux, 100GHz, D925-D932 (1550nm port), Link loss ch=3.5dB, LC/UPC
10 ch. DWDM Mux/Demux (can be used stand alone or in CWDM 1530nm channel)	
T-3810	1 RU plug-in module, W=212mm, D=191.6mm, 10ch DWDM Mux/Demux, 100GHz, D951-D960 (1530nm port), Link loss ch=4.4dB, LC/UPC

GENERAL SPECIFICATIONS

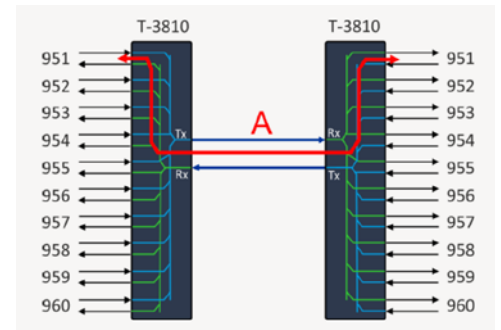
T-5841-E	Unit	Value
Channels	THz	192.5 to 193.2
Number of channels	-	8
Channel spacing	GHz	100
Link loss, per channel (A)	dB	< 3.5
Module width	mm	see separate figure
Connector type	-	LC/UPC
Mounting brackets	-	T-3002-19
Operating temperature	°C	0 to +70



T-5841-E	Unit	Value
Channels	THz	193.4 to 194.1
Number of channels	-	8
Channel spacing	GHz	100
Link loss, per channel (A)	dB	< 5.0
Link loss, UPG ports (B)	dB	< 1.2
Module width	mm	see separate figure
Connector type	-	LC/UPC
Mounting brackets	-	T-3002-19
Operating temperature	°C	0 to +70



T-5841-E	Unit	Value
Channels	THz	195.1 to 196.0
Number of channels	-	10
Channel spacing	GHz	100
Link loss, per channel (A)	dB	< 4.4
Module width	mm	see separate figure
Connector type	-	LC/UPC
Mounting brackets	-	T-3002-19
Operating temperature	°C	0 to +70



GENERAL SPECIFICATIONS

Mounting bracket T-3002-19	Unit	Value
Rack mount	-	19"
Mounting depth (flush mount)	mm	191.6
Height	mm	44.45 (1 RU)
Slot width	mm	189

