

DATASHEET 5.0

T-32xx SF CWDM MUX/DEMUX SERIES

CWDM Single

CWDM Fiber-pair Multiplexers



OVERVIEW

In a fiber-pair configuration the Mux/Demux units at the end points are identical since the same wavelengths are used in both directions for a connection. In a single-fiber configuration two different wavelengths are used and consequently the two Mux/Demux units are different, i.e. "mirrored". The two versions in the pair are denoted "A" and "B".

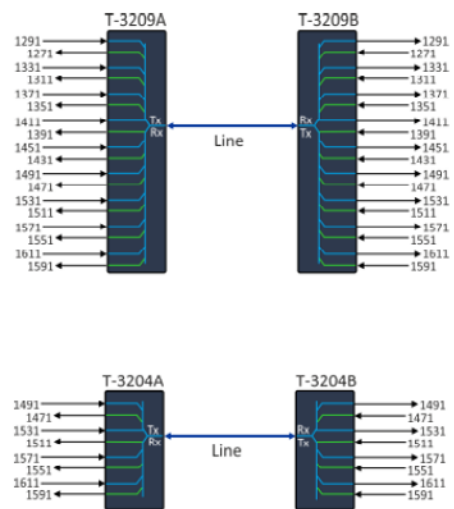
There are two pairs of Mux/Demuxes for single-fiber operation:

- T-3209A and T-3209B enabling 9 bi-directions channels
- T-3204A and T-3204B enabling 4 bi-directions channels

In a single-fiber configuration there is no need to distinguish between a transmit and receive line fiber. Patching will consequently be easier. Moving from a fiber-pair to a single-fiber configuration means that each fiber in the pair now can be used as two independent transmission medias.

PRODUCT FEATURES

- Multiplexing of up to 9 channels on a single fiber
- Low insertion loss
- Compliant to ITU G.694.2 and G.695
- 1U Low profile modular design
- Passive, no electric power required. (MTBF ca. 500 years)

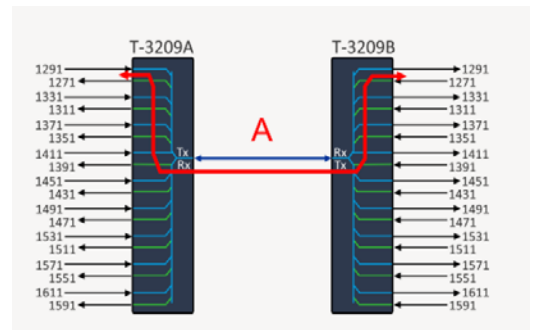


ORDERING INFORMATION

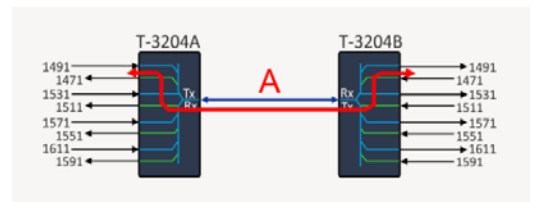
Part Number	Description
Single-Fiber CWDM Mux/Demux	
T-3209A	1 RU plug-in module, W=212mm, D=191.6mm, 9ch CWDM Mux/Demux, single-fiber, Tx channels C29,C33,C37,C41,C45,C49,C53,C57, C61, Link loss ch=5.3dB, LC/UPC
T-3209B	1 RU plug-in module, W=212mm, D=191.6mm, 9ch CWDM Mux/Demux, single-fiber, Tx channels C27, C31,C35,C39,C43,C47,C51,C55,C59, Link loss ch=5.3dB, LC/UPC
T-3204A	1 RU plug-in module, W=212mm, D=191.6mm, 4ch CWDM Mux/Demux, single-fiber, Tx channels C47,C51,C55,C59, Link loss ch=2.8dB, LC/UPC
T-3204B	1 RU plug-in module, W=212mm, D=191.6mm, 4ch CWDM Mux/Demux, single-fiber, Tx channels C49,C53,C57,C61, Link loss ch=2.8dB, LC/UPC

GENERAL SPECIFICATIONS

T-3209A / T-3209B	Unit	Value
T-3209A: Channels Tx direction ¹⁾	nm	1291, 1331, 1371, 1411, 1451, 1491, 1531, 1571, 1611
T-3209A: Channels Rx direction	nm	1271, 1311, 1351, 1391, 1431, 1471, 1511, 1551, 1591
T-3209B: Channels Tx direction ¹⁾	nm	1271, 1311, 1351, 1391, 1431, 1471, 1511, 1551, 1591
T-3209B: Channels Rx direction	nm	1291, 1331, 1371, 1411, 1451, 1491, 1531, 1571, 1611
Link loss, per channel (A)	dB	< 5.3
Module width	mm	see separate figure
Connector type	-	LC/UPC
Mounting brackets	-	T-3002-19
Operating temperature	°C	0 to +70



T-3204A / T-3204B	Unit	Value
T-3204A: Channels Tx direction ¹⁾	nm	1491, 1531, 1571, 1611
T-3204A: Channels Rx direction	nm	1471, 1511, 1551, 1591
T-3204B: Channels Tx direction ¹⁾	nm	1471, 1511, 1551, 1591
T-3204B: Channels Rx direction	nm	1491, 1531, 1571, 1611
Link loss, per channel (A)	dB	< 2.8
Module width	mm	see separate figure
Connector type	-	LC/UPC
Mounting brackets	-	T-3002-19
Operating temperature	°C	0 to +70



¹⁾ Equals the wavelengths used in transmit direction, i.e. what type of transceiver that shall be connected to this Mux/Demux unit.

Mounting bracket T-3002-19	Unit	Value
Rack mount	-	19"
Mounting depth (flush mount)	mm	191.6
Height	mm	44.45 (1 RU)
Slot width	mm	189

