

DATASHEET 1.1

# T-30xx CWDM MUX/DEMUX SERIES

## CWDM Fiber-pair Multiplexers



### OVERVIEW

The CWDM Mux/Demux units in the T-Series covers both the low as well as the high CWDM band. The low band filters are intended to more recent SM-fibers not having the “water-peak”. There are consequently no skipped wavelengths.

There are three different filters for the high CWDM band:

- T-3009 8ch Mux/Demux with a 1310nm extension port
- T-3009M 8ch Mux/Demux with a 1310nm extension port and monitor ports
- T-3008 8ch Mux/Demux with no extension/monitor ports

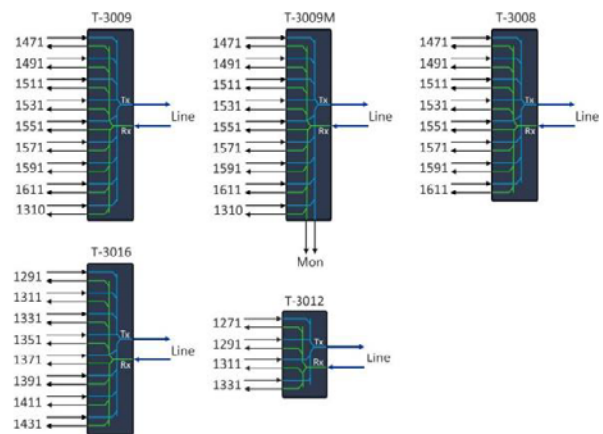
The 1310nm port is intended for legacy 1310nm equipment. It can also be used to connect the low CWDM band Mux/Demux'es T-3016 or T-3012 to extend the number of channels.

Two filter units are provided for the low CWDM band:

- T-3016 8ch Mux/Demux
- T-3012 4ch Mux/Demux

### PRODUCT FEATURES

- Multiplexing up to 16 channels on fiber pair
- Low insertion loss, 1U Low profile modular design
- Compliant to ITU G.694.2 and G.695
- Passive, no electric power required. (MTBF ca. 500 years)

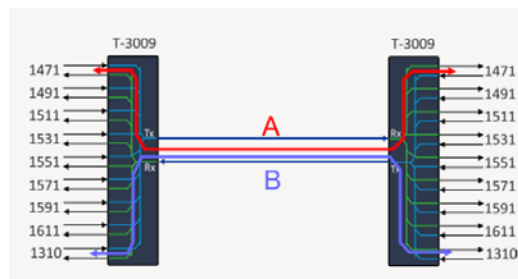


### ORDERING INFORMATION

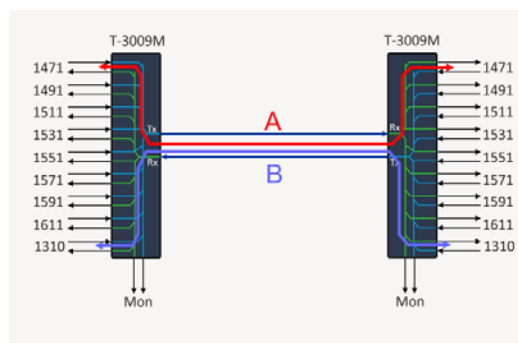
Part Number	Description
<b>High Band (1470-1610nm)</b>	
T-3009	1 RU plug-in module, W=212mm, D=191.6mm, 8ch CWDM Mux/Demux, C47-C61, Link loss ch=3.2dB, Link loss 1310nm/ expansion port = 1.8dB, LC/UPC
T-3009-M	1 RU plug-in module, W=212mm, D=191.6mm, 8ch CWDM Mux/Demux, C47-C61 with Monitor ports, Link loss ch=3.3dB, Link loss 1310nm/expansion port=2.0dB, LC/UPC
T-3008	1 RU plug-in module, W=212mm, D=191.6mm, 8ch CWDM Mux/Demux, C47-C61, Link loss ch=2.8dB, LC/UPC
<b>Low band (1270-1430nm)</b>	
T-3016	1 RU plug-in module, W=212mm, D=191.6mm, 8ch CWDM Mux/Demux, C29-C43, Link loss ch=2.8dB, LC/UPC
T-3012	1 RU plug-in module, W=212mm, D=191.6mm, 4ch CWDM Mux/Demux, C27-C33, Link loss ch=2.0dB, LC/UPC

## GENERAL SPECIFICATIONS

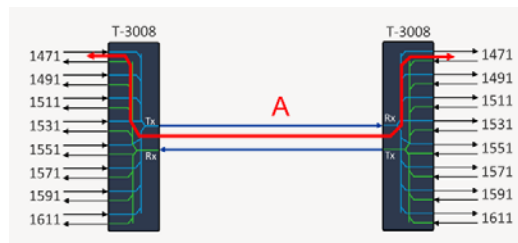
T-3009	Unit	Value
Channels	nm	1471, 1491, 1511, 1531, 1551 1571, 1591, 1611
Extension port channels	nm	1264 - 1438
Link loss, per channel (A)	dB	< 3.2
Link loss 1551nm (A)	dB	< 2.2
Link loss, extension port (B)	dB	< 1.8
Module width	mm	see separate figure
Connector type	-	LC/UPC
Mounting brackets	-	T-3002-19
Operating temperature	°C	0 to +70



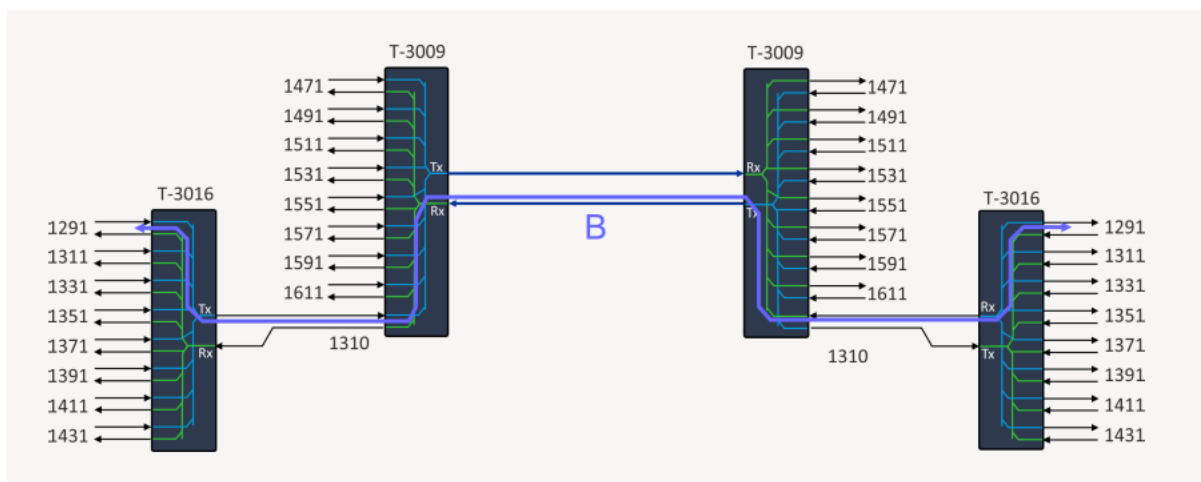
T-3009-M	Unit	Value
Channels	nm	1471, 1491, 1511, 1531, 1551 1571, 1591, 1611
Extension port channels	nm	1264 - 1438
Link loss, per channel (A)	dB	< 3.3
Link loss 1551nm (A)	dB	< 2.3
Link loss, extension port (B)	dB	< 2.0
Insertion loss, monitor	dB	17 - 24
Module width	mm	see separate figure
Connector type	-	LC/UPC
Mounting brackets	-	T-3002-19
Operating temperature	°C	0 to +70



T-3008	Unit	Value
Channels	nm	1471, 1491, 1511, 1531, 1551 1571, 1591, 1611
Link loss, per channel (A)	dB	< 2.8
Link loss 1551nm (A)	dB	< 1.8
Module width	mm	see separate figure
Connector type	-	LC/UPC
Mounting brackets	-	T-3002-19
Operating temperature	°C	0 to +70



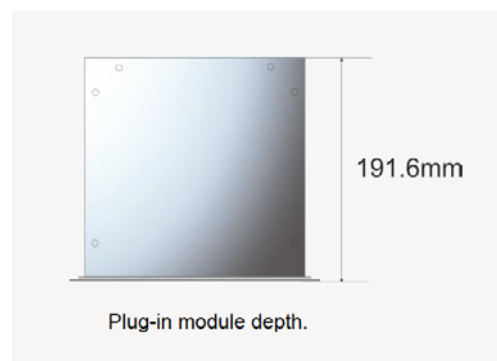
<b>T-3016</b>	<b>Unit</b>	<b>Value</b>
Channels	nm	1291, 1311, 1331, 1351 1371, 1391, 1411, 1431
Link loss, per channel (A)	dB	< 2.8
Link loss, with T-3009 (B)	dB	< 4.6
Module width	mm	see separate figure
Connector type	-	LC/UPC
Mounting brackets	-	T-3002-19
Operating temperature	°C	0 to +70

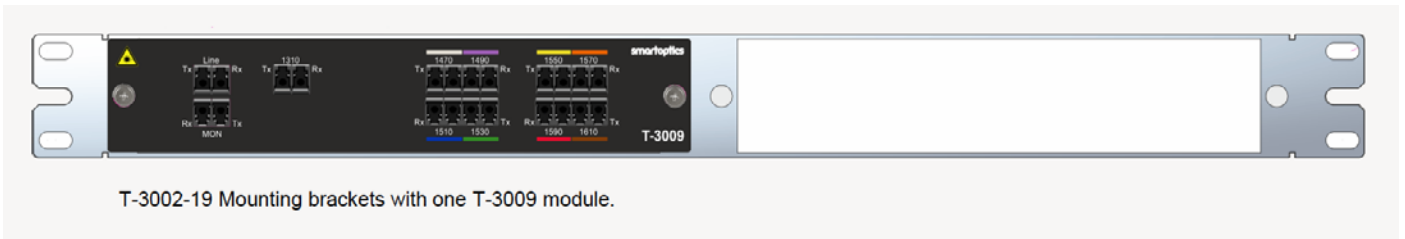
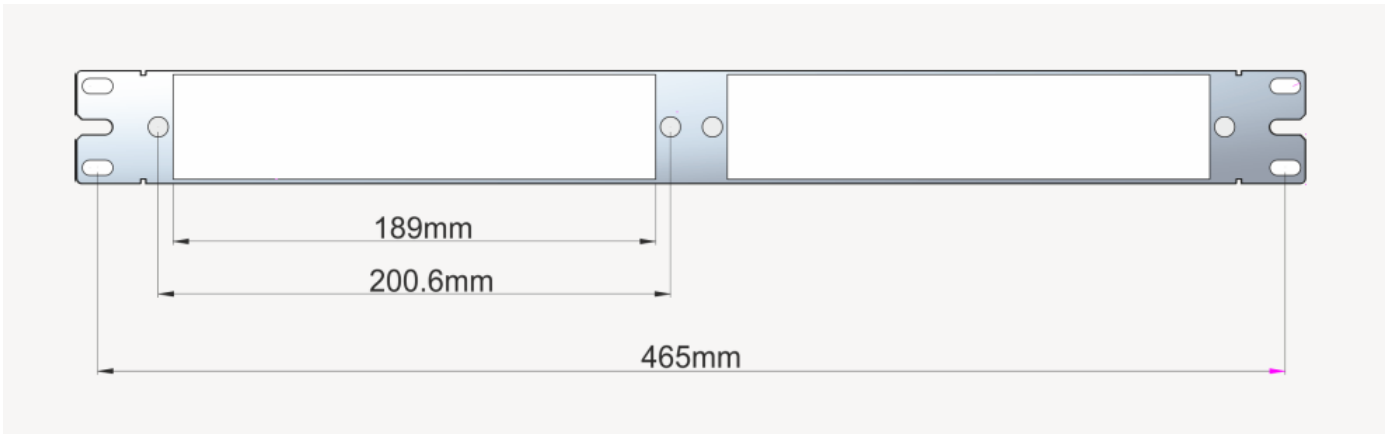


<b>T-3012</b>	<b>Unit</b>	<b>Value</b>
Channels	nm	1271, 1291, 1311, 1331
Link loss, per channel (A)	dB	< 2.0
Module width	mm	see separate figure
Connector type	-	LC/UPC
Mounting brackets	-	T-3002-19
Operating temperature	°C	0 to +70



<b>Mounting bracket T-3002-19</b>	<b>Unit</b>	<b>Value</b>
Rack mount	-	19"
Mounting depth (flush mount)	mm	191.6
Height	mm	44.45 (1 RU)
Slot width	mm	189





Norway (HQ)

Ryensvingen 7

NO-0680 Oslo, Norway

Sweden

Borgarfjordsgatan 6C

SE-16455 Kista, Sweden

Smartoptics offers optical transmission solutions making networks more powerful. Expanding bandwidth without the upfront investment or hassle of traditional WDM. Our products allow corporate data centers, governments, hosting solution providers and ISPs to build simple, straightforward and cost-effective solutions to fulfil their ongoing and future network capacity needs. Headquartered in Oslo, Norway, Smartoptics is an international provider with thousands of installations all around the world. Our award-winning approach has helped companies from every industry sector stay ahead of expanding network demands.