

DATASHEET 5.0

M-3840-LL

Low-loss 40-channel DWDM Mux/Demux



OVERVIEW

The M-3840-LL filter is a low-loss 40-channel DWDM protocol transparent Mux/Demux unit. The channels carried are 921 to 960 in accordance with the ITU-T G.694.1 100GHz grid.

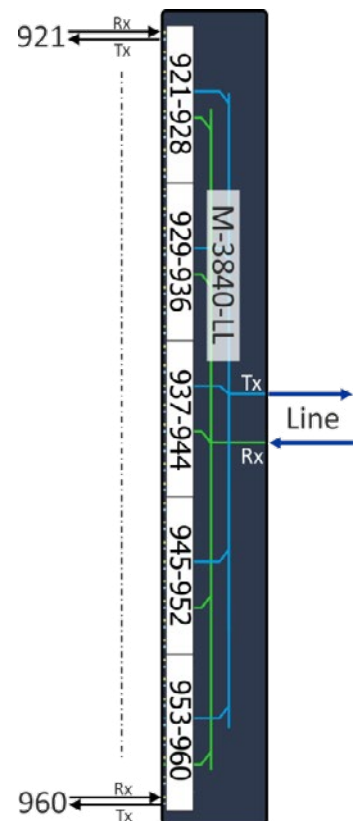
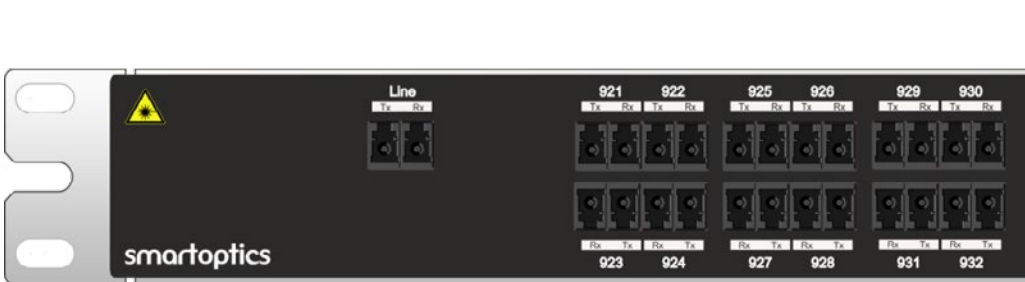
M-3840-LL is a 1RU, 19" rack mounted unit. The technology is restricted to 0 to +70oC operating temperature.

FUNCTIONAL OVERVIEW AND PORT DESCRIPTION

Client and Line signals entering the filter is denoted "Rx".

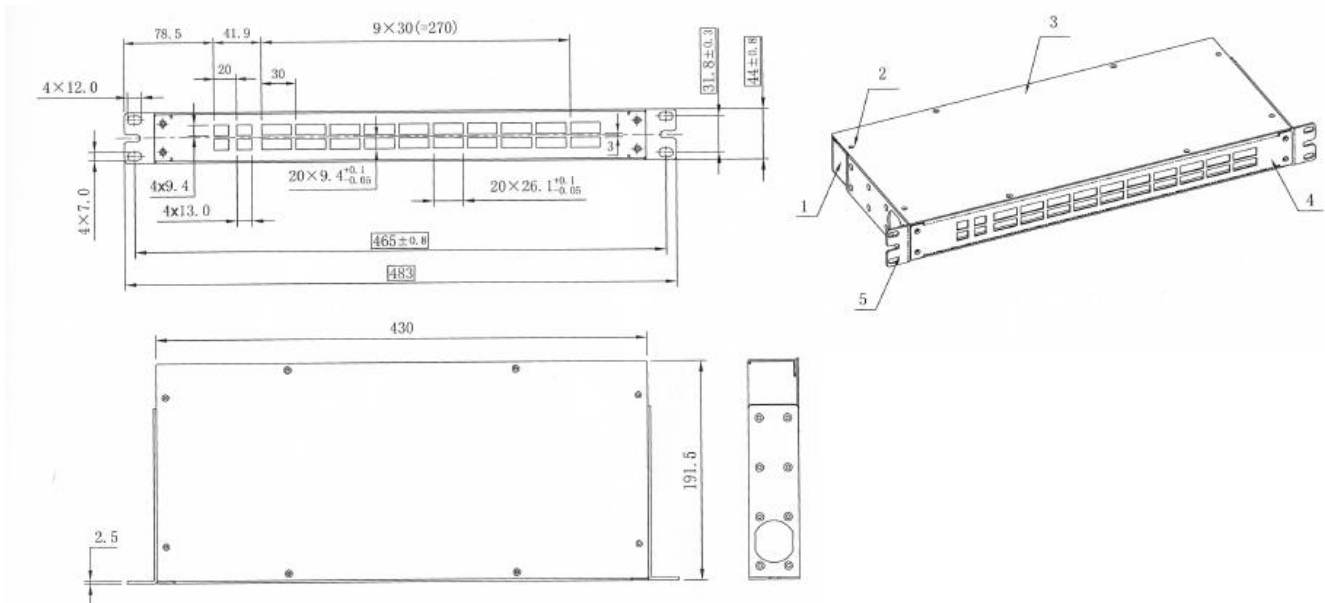
Client and Line signals exiting the filter is denoted "Tx".

Each port has a label "Tx" or "Rx".



TECHNICAL SPECIFICATIONS

Parameter	Min	Max
Channels	192.1 to 196.0 THz	
Channel spacing	100GHz	
Channel passband 0.5dB	ITU+0.11nm	
Insertion loss, per channel (ch Rx -> Line Tx)	5.4dB	6.0dB
Link loss, per channel (ch Rx -> Line Tx)	6.8dB	7.5dB
Isolation, adjacent channel	30dB	
Isolation, non-adjacent channel	40dB	
Ripple, passband	0.5 B	
Return loss	45dB	
Chromatic dispersion	-20ps/nm	20ps/nm
Polarization dependent loss	0.2dB	
Polarization Mode Dispersion	0.5ps	
Connector type	LC/UPC	
Dimensions	1RU height, 19" rack mount	
Operating temperature	0 to +70 °C	
Storage temperature	-40 to +85 °C	
Max optical power	300mW / +24.7dBm	



ORDER INFORMATION

Part number	Description
M-3840-LL	1RU, 19", D=191.5mm, 40ch DWDM Mux/Demux LowLoss, 100GHz D921-D960, Link-loss ch=7.5dB, Insertion-loss ch=6.0dB, LC/UPC